

ROMUS

93465 – BLACK SUN

UK - HALOGEN LAMP INFRARED HEATER

F - CHAUFFAGE A INFRAROUGE ELECTRIQUE

NL - ELEKTRISCHE INFRAROTHEIZER MIT QUARZLAMPE

SP - RISCALDATORE ELETTRICO A LAMPADA ALOGENA



CE

UK - SAFETY INSTRUCTIONS

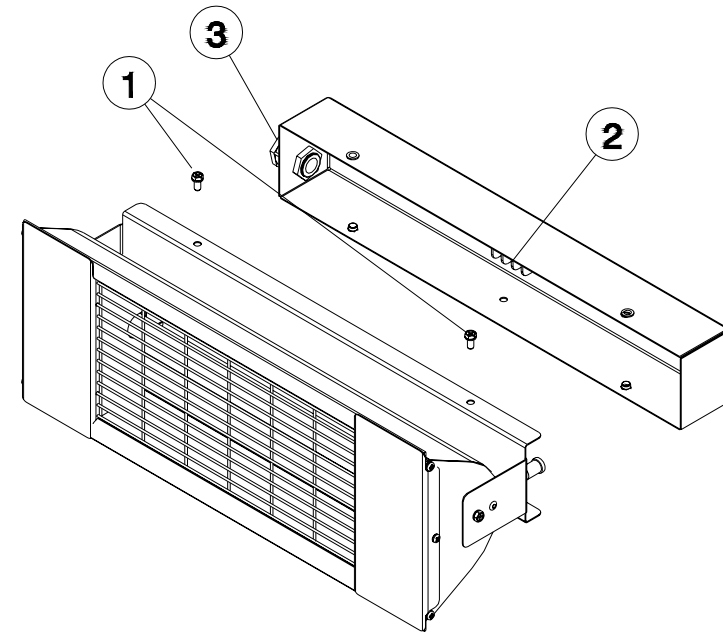
- READ THESE INSTRUCTIONS CAREFULLY BEFORE USE AND KEEP THEM SAFELY FOR FUTURE REFERENCE.
- DO NOT COVER THE HEATER.
- DO NOT OPERATE WITHOUT GUARDS IN PLACE.
- DO NOT OPERATE IF LAMP IS BROKEN OR DAMAGED.
- DISCONNECT FROM MAINS BEFORE MOVING OR ATTEMPTING ANY CLEANING OR MAINTENANCE.
- DO NOT TOUCH THE LAMP GLASS EVEN WHEN COLD.
- POSITION AT LEAST 2 m FROM PEOPLE, DRAPERIES, INFLAMMABLE MATERIALS, ETC
- THE SURFACES OF HEATER GET VERY HOT – DO NOT TOUCH THEM!
- THIS APPLIANCE MUST BE EARTHED.
- DO NOT LOCATE THE HEATER BELOW THE SOCKET OUTLET.
- DO NOT USE THE HEATER WITH A PROGRAMMER, TIMER OR ANY OTHER DEVICE THAT SWITCHES THE HEATER ON AUTOMATICALLY, SINCE A FIRE RISK EXISTS IF THE HEATER IS COVERED OR POSITIONED INCORRECTLY.
- KEEP MAINS CABLE OUT OF THE BEAM OF HEAT.
- ONLY INSTALL IN HORIZONTAL POSITION.
- USE ONLY ON A LEVEL SURFACE TO ENSURE ADEQUATE STABILITY (IF INSTALLED ON TELESCOPIC SUPPORT)
- THIS HEATER IS INTENDED AS A FIXED APPLIANCE AND IT MUST NOT BE MOVED WHILE IT IS IN OPERATION OR EVEN WARM.
- INSPECT MAINS CABLE FREQUENTLY.
- TO CLEAN REFLECTOR:
 - DISCONNECT FROM MAINS SUPPLY
 - MAKE SURE THAT THE HEATER SURFACES ARE NOT HOT. BURN DANGER!
 - REMOVE GUARD AND WIPE THE REFLECTOR WITH A CLEAN DRY CLOTH. DO NOT USE ABRASIVE CLEANERS. THE SURFACE OF THE REFLECTOR IS VERY SOFT AND SCRATCHES MAY CAUSE THE UNIT TO OVERHEAT OR NOT TO WORK PROPERLY.
 - REASSEMBLE GUARD.
- TO USE THIS HEATER CLOSE TO CURTAINS AND OTHER COMBUSTIBLE MATERIALS CAN CAUSE FIRE DANGER.

ASSEMBLING INSTRUCTIONS

1. POWER CABLE CONNECTION (III. 1)

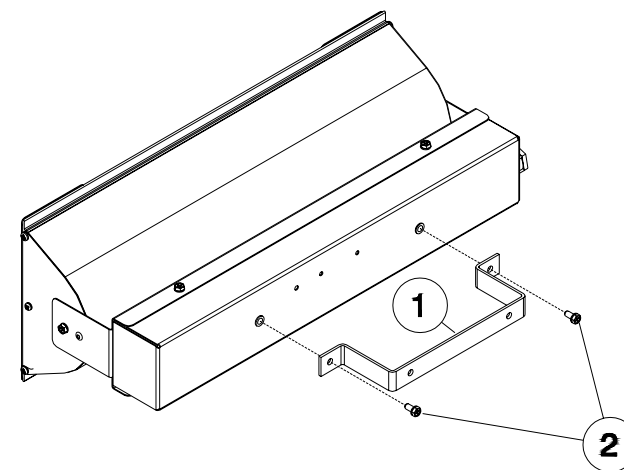
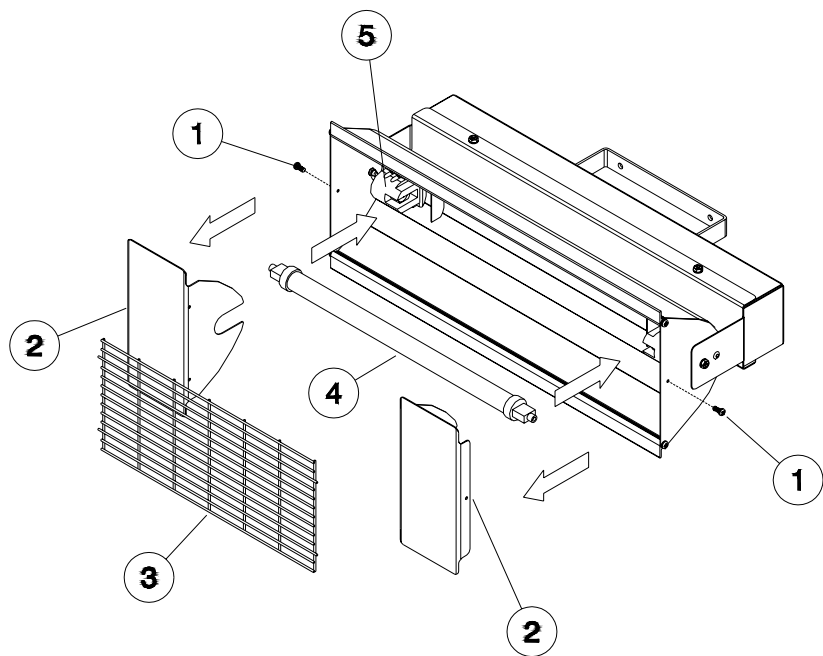
- Disconnect the heater body from its rear support by unscrewing screws (1)
- Disconnect the lamp connectors on terminal board (2)
- Insert mains cable through cable clamp (3).

- IMPORTANT: USE A H05RR-F FLEXIBLE 3-CORE WITH 1mm² MINIMUM CROSS SECTIONAL AREA CABLE AND CONNECT TO A JUNCTION BOX OR PROPERLY GROUNDED OUTLET.
- Connect live (brown), neutral (blue) and earth (green/yellow or green) cables to terminals respectively marked with L, N and earth symbol.
- Tighten the cable clamp plastic nut to fix the cable firmly.
- Connect the lamp connectors on terminal board and screw back heater body.



2. LAMP MOUNTING AND REPLACEMENT (III. 2)

- Unscrew the screws (1) and disassemble the two front panels (2) and guard (3).
- Extract the lamp from its carton, taking care not to touch the lamp glass.
- Gently insert the lamp (4) into the ceramic supports (5).
- Reassemble the front panels (2) and guard (3).



III. 2

3. WALL FIXING (III. 3)

This heater can be fixed onto a wall, using the metal bracket supplied, or installed on a telescopic support available as an accessory (for installment see instructions supplied with support).

IMPORTANT:

MINIMUM MOUNTING HEIGHT:	1.80 m
MINIMUM DISTANCE FROM CEILING:	0.25 m
MINIMUM DISTANCE FROM CORNERS:	1.00 m

WARNING: IF THE MOUNTING HEIGHT IS LOWER THAN 1.80 m, THE EUROPEAN REGULATIONS REQUIRE THAT THE HEATER IS FITTED WITH A PROTECTION GUARD TO PREVENT ANY CONTACT WITH THE HOT LAMP. THE MANUFACTURER WILL NOT BE RESPONSIBLE FOR ANY DAMAGE CAUSED BY AN INCORRECT INSTALLMENT.

- Fix the metal bracket (1) to a wall by means of proper fixing means (nogs, etc. not supplied).
- Connect heater body to metal bracket using the screws (2)
- Adjust angle of heater to direct heat beam where required

III. 3