

CHAUFFAGE ÉLECTRIQUE

ROMUS

F – Chauffage électrique à infrarouge
GB – Short-wave Quartz Infra-Red Heater

REF. 93455



REF. 93456

F - LAMPE HALOGÈNE DE RECHANGE
GB - HALOGENOUS REPLACEMENT LAMP

SCHEMA DE MONTAGE – ASSEMBLY DIAGRAM

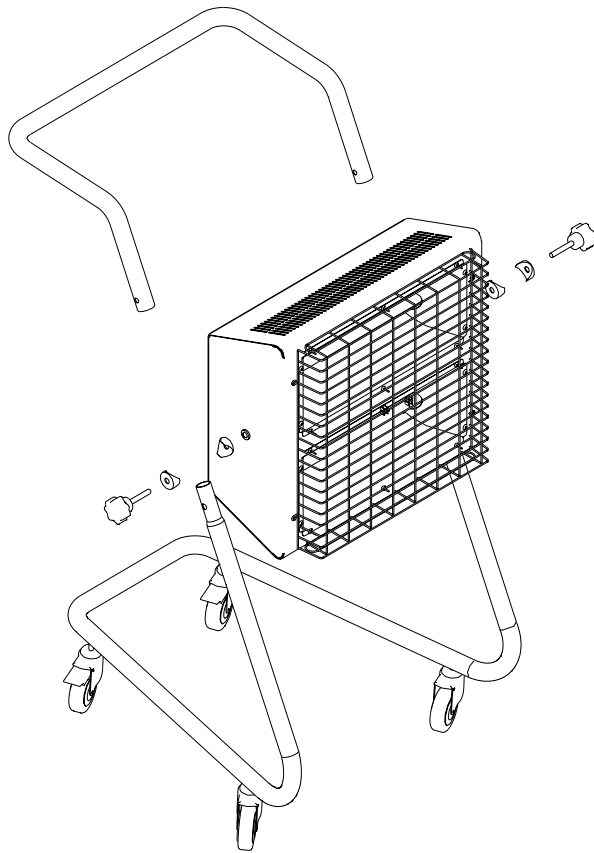
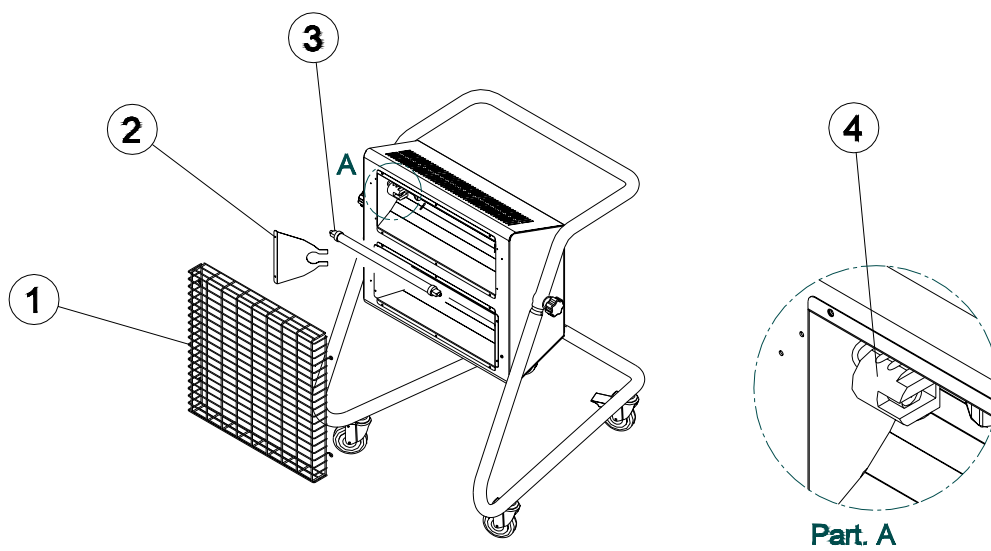


Fig. 1



GB - IMPORTANT SAFETY INSTRUCTIONS

Short-wave Quartz Infra-Red Heater very effective and instantaneous infra-red on a maximum zone of 5m X 5m. the effect of this heating is comparable with that of the sun. It is characterized by the absence of smoke, odor, condensation, air blast (not of dust).

Design features :

MODEL	REF. 93455
Thermal power	
Min. KW.	1.5
Max. KW.	3.0
Voltage-Current	230V / 13A
Weight	13 Kg.
Width	610 mm
Length	680 mm
Height	850 mm

- Please read these instructions carefully before use and keep them safely for future reference.
- Check that you have compatible plugs and cables for your use. If not, use a suitable adaptor. Attempting to force or improvise connections can cause a severe risk or injury and must never be attempted.
- Do not operate with lamps pointing to floor. Fire danger!
- Do not cover the heater or block any vents.
- Do not operate without guards in place.
- Do not operate if lamps are broken or damaged.
- Disconnect from mains before moving or attempting any cleaning or maintenance.
- Do not touch lamp even when cold.
- Position at least 2 m from people, draperies, inflammable materials, etc
- The top surface of the heater gets hot – take care not to touch it.
- This appliance must be earthed.
- For indoor use only – keep away from water.
- Do not locate the heater below the socket outlet.
- Do not use the heater with a programmer, timer or any other device that switches the heater on automatically, since a fire risk exists if the heater is covered or positioned incorrectly.
- Keep mains cable out of the beam of heat.
- Use only in upright position.
- To ensure adequate stability:
 - Use only on a level surface
 - Do not use without wheels fitted
 - Fix the wheels using the brakes provided before switching on
- This heater is intended as a fixed appliance and it must not be moved while connected to the electrical mains.
- When moving:
 - Switch off and disconnect from mains
 - The heater may be wheeled across even surfaces but should not be carried across rough terrain;
 - When in transit, secure the unit upright to prevent lamp damage.
- Inspect mains cable frequently.
- The mains cable on this unit must only be replaced with one of a similar type. Replacement cords are available from your local dealer.
- Do not use this heater in the immediate surroundings of a bath, a shower or a swimming pool.
- To clean reflector:
 - Disconnect from mains supply
 - Remove guard and wipe the reflector with a clean dry cloth. Do not use abrasive cleaners. The surface of the reflector is very soft and scratches may cause it to overheat.
 - Replace guard.
- To use this heater close to curtains and other combustible materials can cause fire danger.
- This heater must not be used for the heating of greenhouses and outside construction areas.