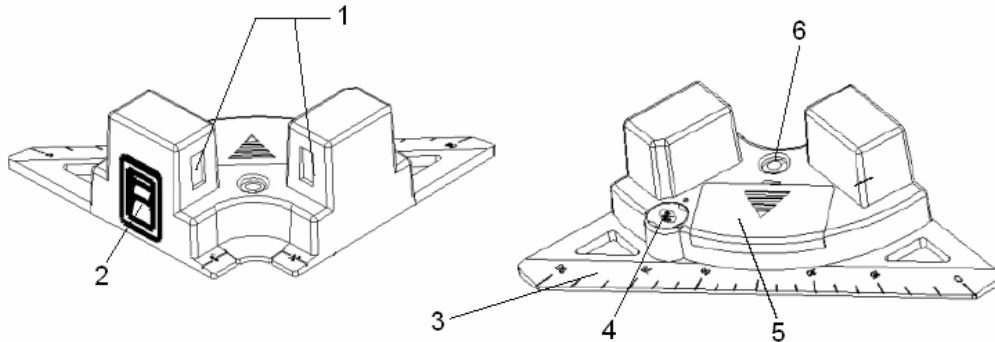


GB - SQUARE LINER

REF 93188

ROMUS



- | | |
|---------------------------|-------------------------------|
| 1 – Laser emitting window | 4 – On/Off-switch |
| 2 – Tubular bubble | 5 – Battery compartment cover |
| 3 – 0° to 90° graduation | 6 – Circular bubble |

Kit consists of: Square Liner, 2 x AA Battery, magnetic laser target, padded bag, operators manual.

Take special care:

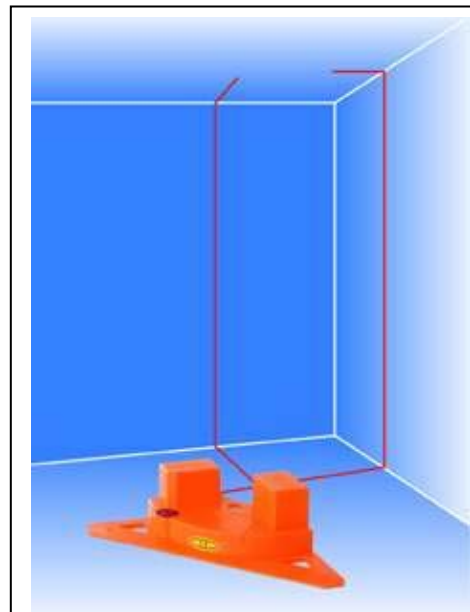
- 1 - DO NOT STARE INTO BEAM.
- 2 - Don't knock, drop and heat the unit. Do not use in rain.
- 3 - Transport only in original bag.
Ensure that the unit is powered off at transport.
- 4 - Clean instrument with soft cloth.

Use of Square Liner:

- Open the battery compartment cover "5" and put in 2 AA batteries as per marks inside of battery compartment (take care of correct polarity!).
- Switch the unit on. A cross line will be projected.

Technical Data

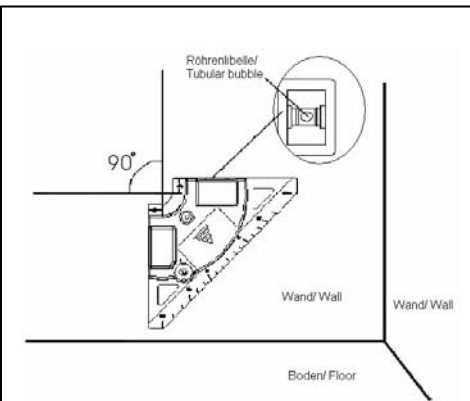
Accuracy	± 3 mm / 10 m
Working range	max. 30 m (depending on room illumination)
Visible laserdiodes	2 x 635 nm
Laserclass	2
Power supply / Operating time	2 x 1.5 V AA Battery / 48 h



Use on the floor:

Set up Square Liner on the floor.
Take care that circular bubble "6" is centered.

Switch the unit on.



Use on the wall:

Put the unit on the wall and take care that tubular bubble „2“ is centered.

Switch the unit on.

CAUTION : MAKE THE LASER LEVEL IN VIEW TO OBTAIN AN 90° ANGLE



Example of use:

Set up Square Liner on the floor.
Switch on.

Now Square Liner helps you to lay out tiles.