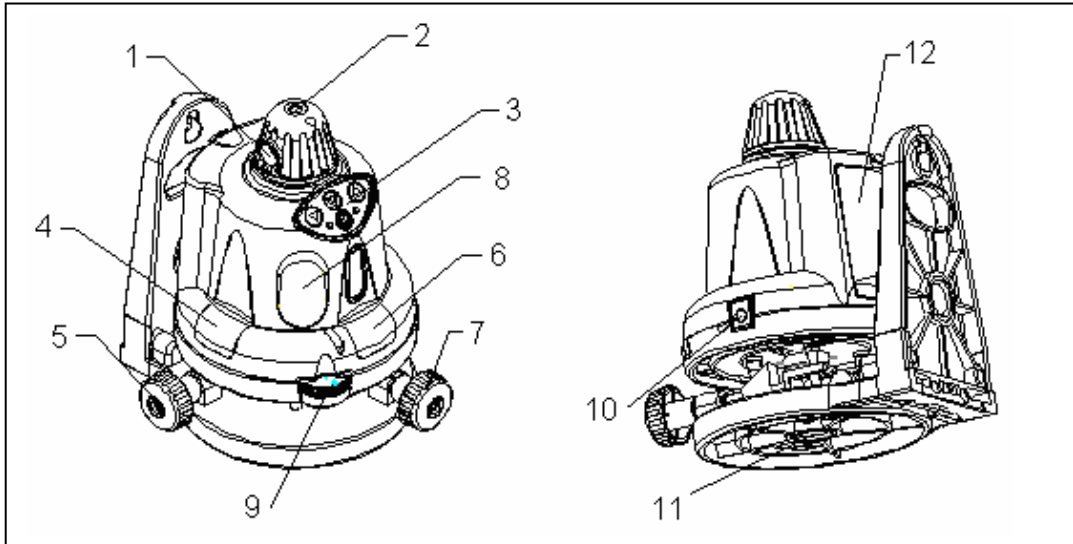


## 93175 - Operators` Manual Manual Rotating Laser Level FL 20



- |                                     |                               |
|-------------------------------------|-------------------------------|
| 1- Laser emitting window            | 7- Footscrew                  |
| 2- Laser emitting window plumb beam | 8- Vertical bubble            |
| 3- Operating panel                  | 9- Slope adjusting wheel      |
| 4- Horizontal bubble                | 10- Socket for power supply   |
| 5- Footscrew                        | 11- 5/8"-thread               |
| 6- Horizontal bubble                | 12- Battery compartment cover |

### Comes with:

4 x AA Batteries,  
Wall-/Tripodmount,  
bag.

### Take special care

- 1 - DO NOT STARE INTO BEAM. Further safety instructions enclosed.
- 2 - Don't knock, drop and heat the unit. Do not use in rain.
- 3 - Transport only in original bag. Clean with soft cloth.

### Batteries

- Open the battery compartment cover "12" and put in 4 AA batteries (take care of correct polarity!). The instrument can be connected with DC 6V power supply (from local electronics dealer) alternatively.

### Technical Data

#### FL 20

Accuracy	± 3 mm/10m
Working range	
- with receiver	≥ 120 m
- laserpoint	ca. 30 m*
- scanning	ca. 20 m*
- rotating	ca. 10 m*
Operating time / power supply	18 h / 4 x 1.5 V AA
Visible laserdiode / laser class	635 nm / 2

\* depending on room illumination

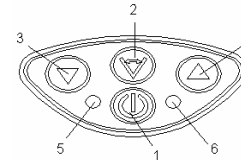


01/2004

### Horizontal use

- Set up the tripod-/wall mount to builders' tripod or floor-to-ceiling-pillar (5/8"-thread) or to a wall: there is a screw eye on the mount through which unit can be fixed.
- Center two bubbles no. 4 and 6 by means of footscrews no. 5 and 7.

### Operating panel



- Button 1 = Switch on/off
- Button 2 = Scanning mode

Lamp 6  
Continuous light = unit switched on  
Blinking = batteries have to be replaced

### Rotating mode

- Switch the unit on
- Rotating mode is set.
- Increase rotating speed with button „4“ / reduce with button „3“.



### Scanning mode

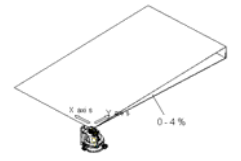
- Press 1x button „2“ = small scanning-angle
- Press 2x button „2“ = large scanning-angle
- Press 3x button „2“ = laser dot mode
- Press 4x button „2“ = switching back to rotating mode

- With buttons „3“ and „4“ the scanning-direction can be changed.



### Slope mode

- With slope adjusting wheel „9“ horizontal plane can be tilted up to 4% in Y-direction. Please proceed as follows:
  - a) Adjust the wheel to percentage required
  - b) With footscrew no.7 then level bubble no.6 to zero



### Line mode

- Press 2x button „1“.
- A verticale line is projected.
- Together with rotating or scanning beam a lasercross is projected.



### Vertical use

- Set up the tripod-/wall mount to builders' tripod or floor-to-ceiling-pillar (5/8"- thread).

- Center bubble no. 8 by means of footscrew no. 5.

- All further functions like „Horizontal use“.

